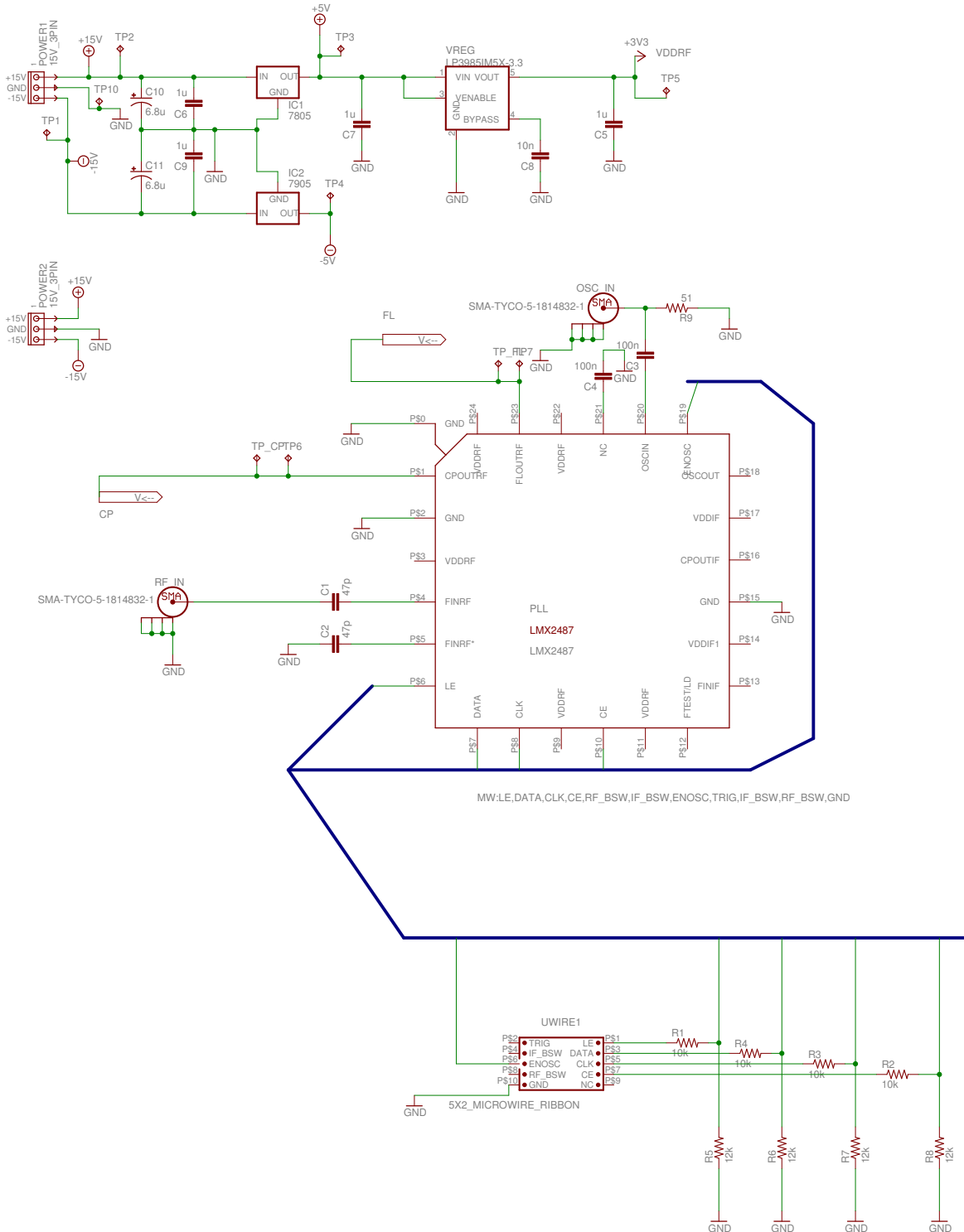
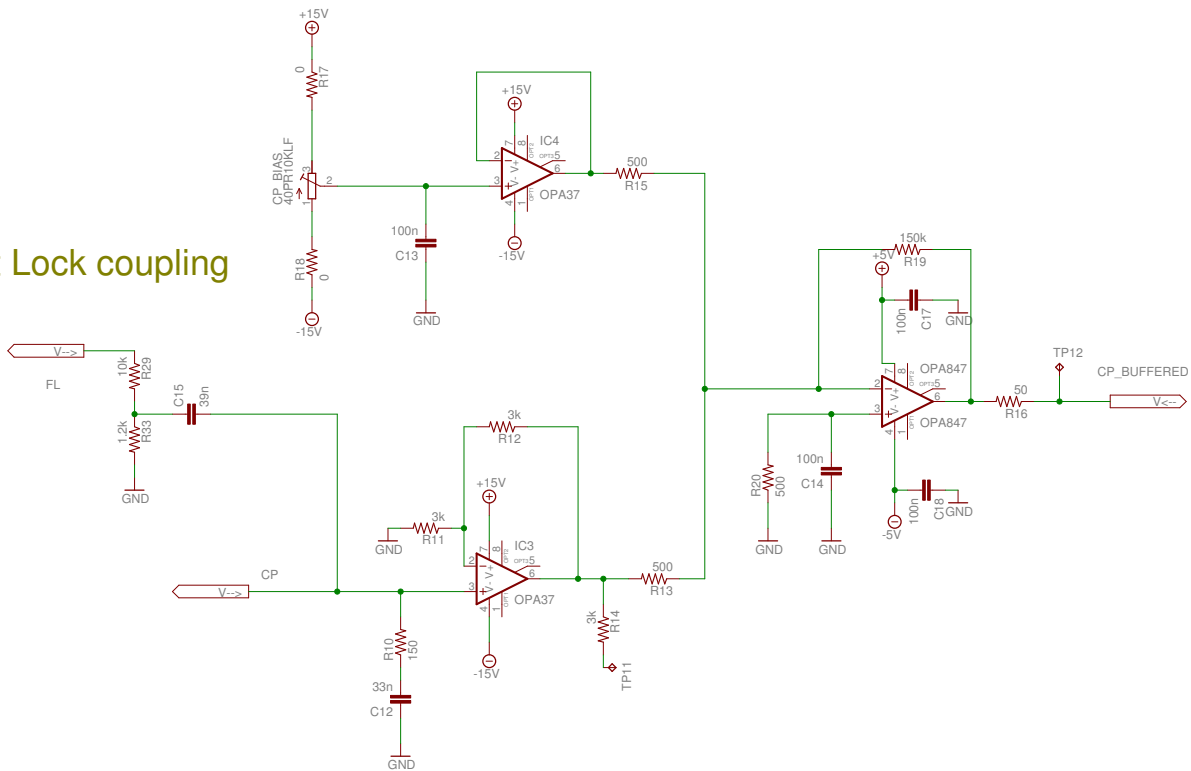


Power Regulators

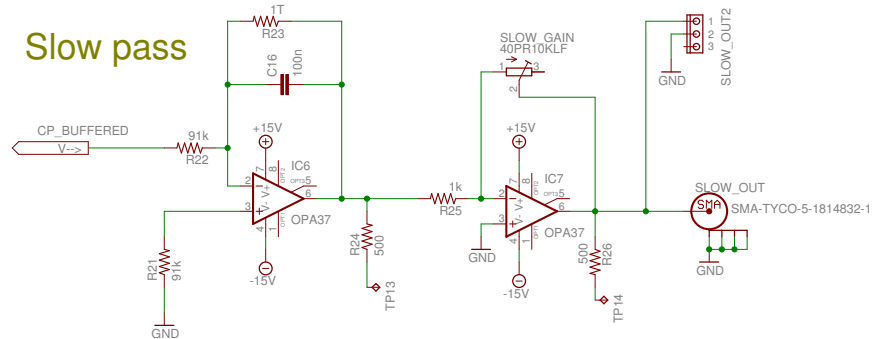


Charge Pump Buffer

Fast Lock coupling



Slow pass



Fast pass

